

# RETROFIT

## A60 LED Lamp Series

PRELIMINARY



### Features

- No UV or IR light radiation
- No direct, no reflected glare or flicker of light
- E27 screw mount cap
- 100 – 120 VAC power input
- Operation temperature: -20°C – +40°C
- Long lifetime: 40000 hours (L70)

### Description

The Retrofit SL-T60A lamp series is a high quality LED replacement. With about 11W power consumption it delivers a light output comparable with a conventional 60W incandescent lamp. The lamp is compatible with most common fixtures on the market.

### Applications

- Indoor Lighting
- Indoor Lighting
- Amusement Park Accenting

## Coding of Part Number:

SL-60A / C / P08 / OM / E30 / ND / 27 / LAC / TW

1 2 3 4 5 6 7 8 9

### 1. Product Series

SL-60A : A60 light bulb - A Series

### 2. LED Type

C : HP C LED

### 3. Power Consumption

P08 : 8W

P06 : 6W

### 4. Beam Angle

OM: Omni directional

### 5. Correlated Color Temperature

E27: ANSI C78 2700K

E57: ANSI C78 5700K

### 6. Dimming Control

ND: No Dimming

### 7. Lamp-Holder

27: E27 Cap

26: E26 Cap

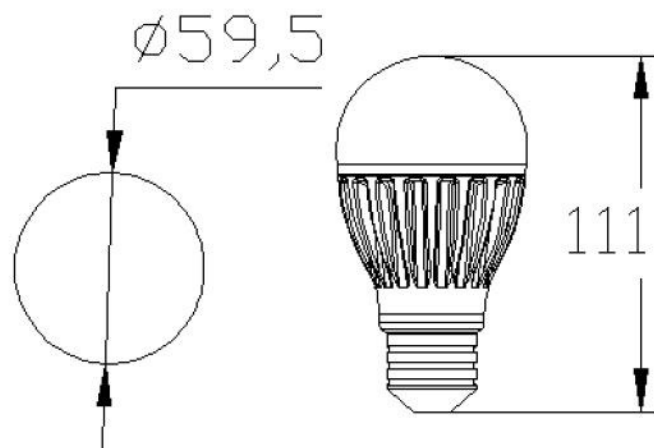
### 8. Input Voltage

LAC: 100~120VAC

### 9. Package

TW: Graphic Package.

## Product Dimensions



- Notes: 1. Dimensions are in millimeters  
2. Tolerances unless otherwise mentioned  
 $\pm 0.5$ mm

## Luminance and Technical Data

Product Name	SL-60A/C/P06/OM/E27/ND/27/LAC/TW	SL-60A/C/P06/OM/E57/ND/27/LAC/TW
Product Family	Retrofit	Retrofit
Main Use	Office, commercial, residential and hospitality lighting	Office, commercial, residential and hospitality lighting
Input Voltage/ Frequency	100-120VAC/60Hz	100-120VAC/60Hz
Power Consumption	6W	6W
Dim ability	No	No
Mechanical Dimensions	∅60 * 111mm	∅60 * 111mm
Maximum Weight	140g	140g
Light Color	Warm white / 2700K	Daylight white / 5700K
Luminous Flux(Typ.)	600lm	600lm
Beam Angle	Omni directional	Omni directional
CRI	> 80	> 80
Storage Temperature	-30°C~+80°C	-30°C~+80°C

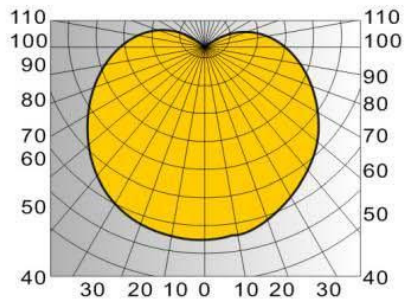
Luminous Flux measurement tolerance ± 10%

## Luminance and Technical Data

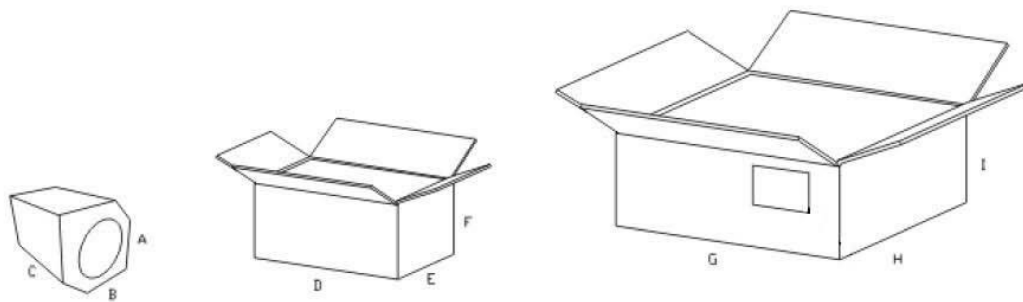
Product Name	SL-60A/C/P08/OM/E27/ND/27/LAC/TW	SL-60A/C/P08/OM/E57/ND/27/LAC/TW
Product Family	Retrofit	Retrofit
Main Use	Office, commercial, residential and hospitality lighting	Office, commercial, residential and hospitality lighting
Input Voltage/ Frequency	100-120VAC/60Hz	100-120VAC/60Hz
Power Consumption	8W	8W
Dim ability	No	No
Mechanical Dimensions	∅60 * 111mm	∅60 * 111mm
Maximum Weight	180g	180g
Light Color	Warm white / 2700K	Daylight white / 5700K
Luminous Flux(Typ.)	800lm	800lm
Beam Angle	Omni directional	Omni directional
CRI	> 80	> 80
Storage Temperature	-30°C~+80°C	-30°C~+80°C

Luminous Flux measurement tolerance ± 10%

## Intensity Distribution



## Package information



## Package Dimension

Package	Unit: mm	Unit: kg
A	80	
B	80	0.241
C	137	
Inner Box	Unit: mm	Unit: kg
D	410	
E	167	2.71
F	145	
Outer Box	Unit: mm	Unit: kg
G	440	
H	370	6.1
I	185	

## Packing Quantity

- 1 Luminaire / 1 Package
- 10 Packages / 1 Inner Box
- 2 Inner Box / 1 Outer Box